

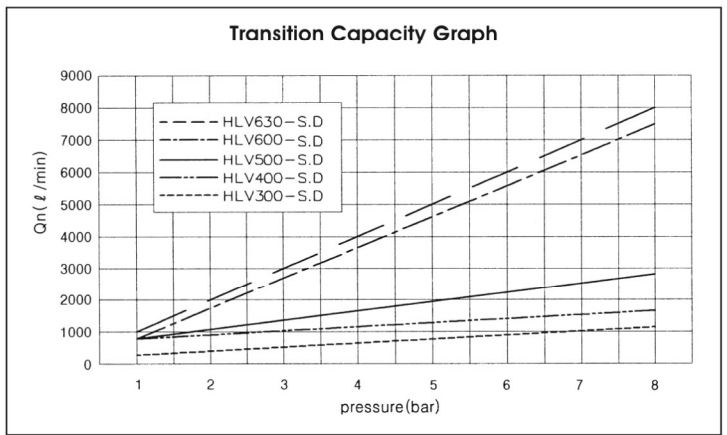
HLV Series

Hand Lever Operated
Spool Valves

- Direct Operation Type
- 5/2, 5/3, 3/2
- 1/8, 1/4, 3/8, 1/2
- High Flow Capacity

SPECIFICATION

ITEM	SERIES	HLV300	HLV400	HLV500	HLV600
	FUNCTION	5/2, 5/3-Way	5/2, 5/3, 3/2-Way	5/2, 5/3-Way	5/2, 5/3-Way
Fluids	Compressed Air & Inert Gases				
Port Size		1/8	1/4	3/8	1/2
Pressure(bar)	0~8.0				
Eff. Sectional Area(mm ²)-5bar		13.5	18.0	35.0	90.0
Ambient & Fluid Temp.	5~60°C (41~140°F)				
Lubrication	Not Required(Use ISO VG32#)				



- ### The Material of Parts
- Valve Body : Die-Cast Aluminium
 - Spool : Aluminium
 - Seals : NBR
 - Spring : Stainless
 - Lever Parts : Steel, NBR, Plastic

* The specification on each item can be amended without any prenotice to improve a performance.
* The specification on each item can be different from actual specification.

ORDERING NO.

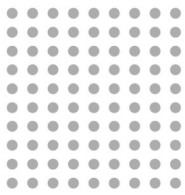
HLV3 1 0 - S

Valve Series
HLV3: 1/8-Port Body
HLV4: 1/4-Port Body
HLV5: 3/8-Port Body
HLV6: 1/2-Port Body

Function	
1	5/2 Single
2	5/2 Double
3	5/3 Closed Center
4	5/3 Open Center
5	5/3 Pressure Center
6	3/2 Normally Closed

Port Size & Thread	
0	G
1	NPT

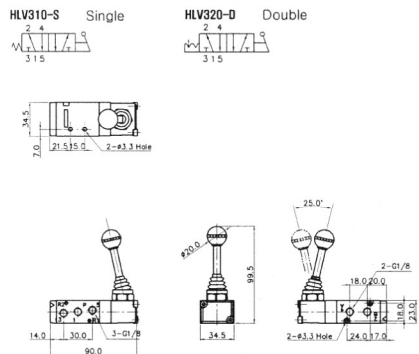
Return Method	
S	Single Spring Return
D	Double Detented



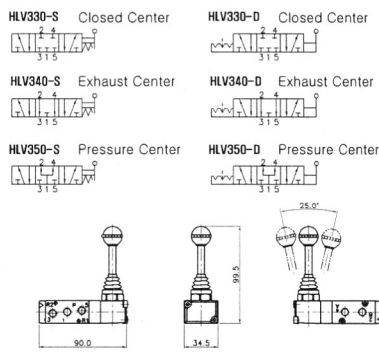
Manually & Mechanically Actuated Spool Valve

Port Thread 1/8, 1/4, 3/8, 1/2

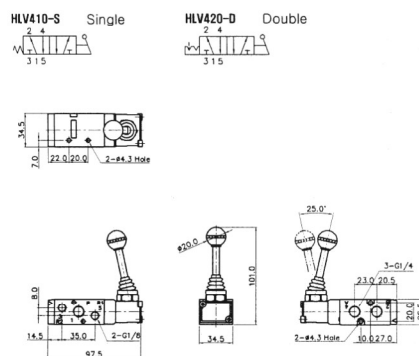
5/2-Way, Hand Lever Manually Actuated Valve Thread-G1/8



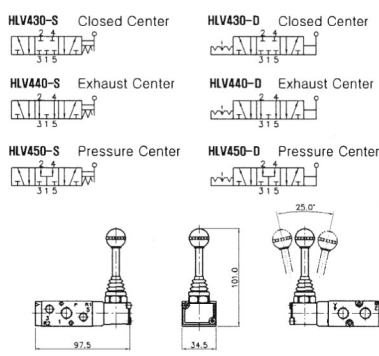
5/3-Way, Hand Lever Manually Actuated Valve Thread-G1/8



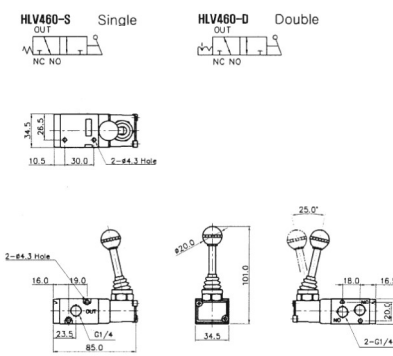
5/2-Way, Hand Lever Manually Actuated Valve Thread-G1/4



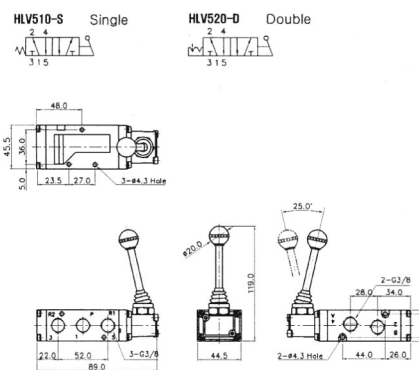
5/3-Way, Hand Lever Manually Actuated Valve Thread-G1/4



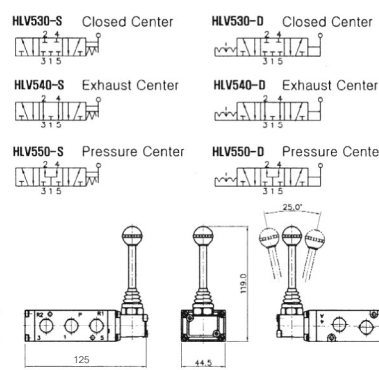
3/2-Way, Hand Lever Manually Actuated Valve Thread-G1/4



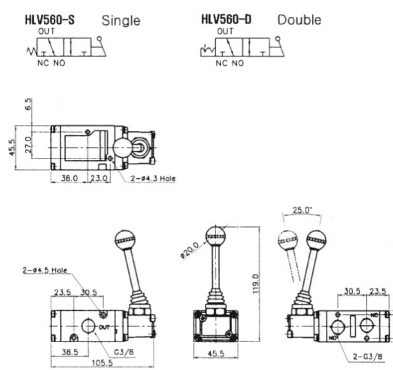
5/2-Way, Hand Lever Manually Actuated Valve Thread-G3/8



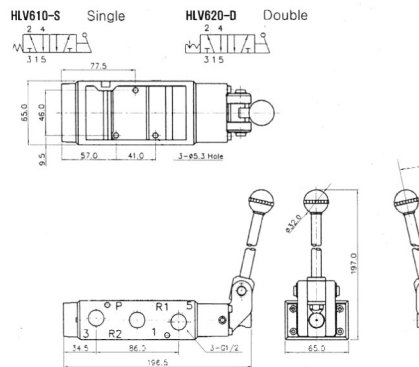
5/3-Way, Hand Lever Manually Actuated Valve Thread-G3/8



3/2-Way, Hand Lever Manually Actuated Valve Thread-G3/8



5/2-Way, Hand Lever Manually Actuated Valve Thread-G1/2



5/3-Way, Hand Lever Manually Actuated Valve Thread-G1/2

